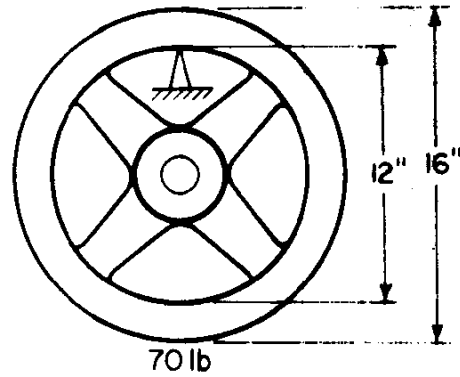


**Problem 2.7**

A flywheel weighing 70 lb was allowed to swing as a pendulum about a knife edge at the inner side of the rim, as shown in Fig. P2.7. If the measured period of oscillation was 1.22 s, determine the moment of inertia of the flywheel about its geometric axis.

**FIGURE P2.7.**