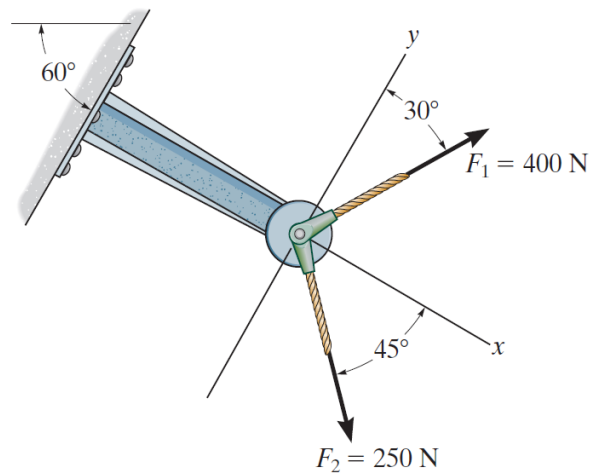


Problem 2-34

Resolve \mathbf{F}_1 and \mathbf{F}_2 into their x and y components.



Probs. 2–34/35

Solution

Write each of the forces in component form with respect to the given xy -coordinate system.

$$\mathbf{F}_1 = 400 \langle \sin 30^\circ, \cos 30^\circ \rangle \text{ N} \approx \langle 200, 346 \rangle \text{ N}$$

$$\mathbf{F}_2 = 250 \langle \cos 45^\circ, -\sin 45^\circ \rangle \text{ N} \approx \langle 177, -177 \rangle \text{ N}$$